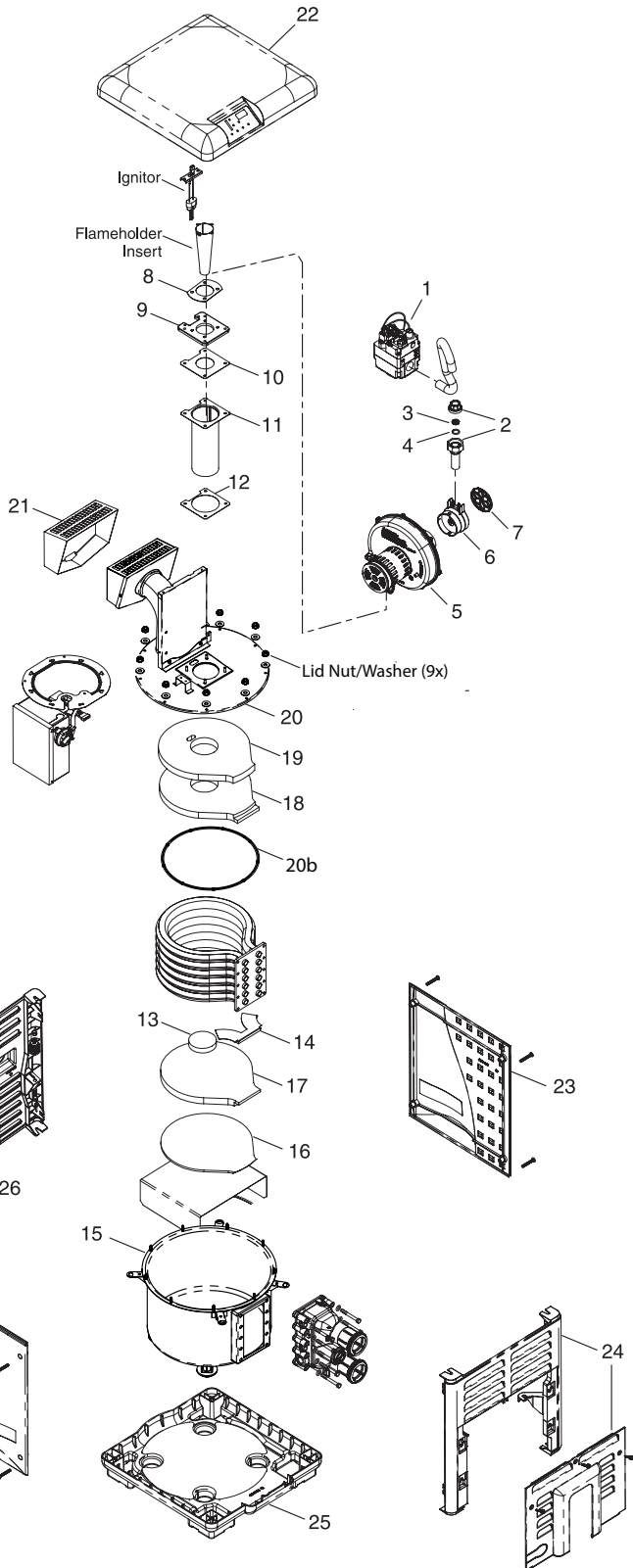
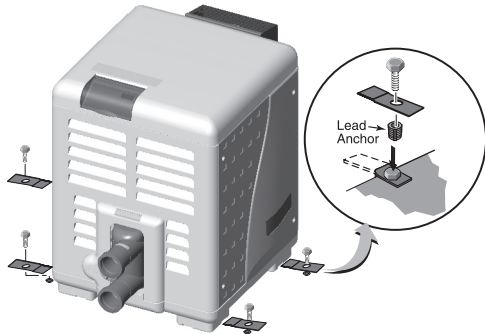


MASTERTEMP® HEATER (CONT'D)

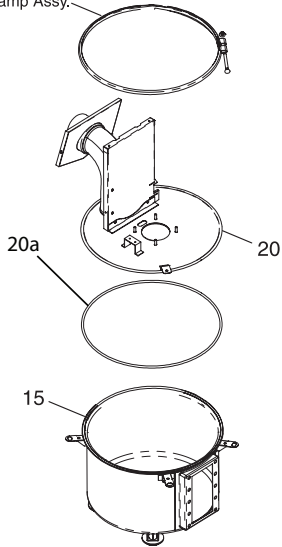
BURNER SYSTEM REPLACEMENT PARTS

For Heater mounting bolts and clamps, purchase separately Bolt Down Bracket Kit, Part No. 460738.



CLAMP LID TUB DESIGN

Combustion Chamber Clamp Assy.



For heaters manufactured between 1/12/2009 and 10/31/2013 (clamp lid tub design)
 Note: Kits also include Clamp Assembly, O-Ring and Silicon Tube

MASTERTEMP® HEATER (CONT'D)

BURNER SYSTEM REPLACEMENT PARTS

Item	Part No.	Description	Qty.
BURNER SYSTEM			
1	42001-0051S	Combination Gas Control Valve Kit	1
2	38404-4097S	3/4 in. Union	2
5	77707-0250	Air Blower Kit - Natural Gas Units (Models 175NA)	1
5	77707-0251	Air Blower Kit - Natural Gas Units (Models 200NA)	1
5	460743	Air Blower Kit - Natural Gas Units (Models 250NA)	1
5	460757	Air Blower Kit - Natural Gas Units (Models 300NA)	1
5	77707-0253	Air Blower Kit - Natural Gas Units (Models 400NA)	1
5	77707-0254	Air Blower Kit - Propane Units (Models 175LP, 200LP)	1
5	460744	Air Blower Kit - Propane Units (Models 250LP)	1
5	460758	Air Blower Kit - Propane Units (Models 300LP)	1
5	77707-0256	Air Blower Kit - Propane Units (Models 400LP)	1
6	See Item #7	Item #6 included in Item #7	
7	460798	Air Orifice Kit - Model 175 (Includes Item Nos. 6 and 7)	
7	77707-0111	Air Orifice Kit - Model 200 (Includes Item Nos. 6 and 7)	1
7	460745	Air Orifice Kit - Model 250 (Includes Item Nos. 6 and 7)	
7	460759	Air Orifice Kit - Model 300 (Includes Item Nos. 6 and 7)	
7	77707-0113	Air Orifice Kit - Model 400 (Includes Item Nos. 6 and 7)	
15	474095	One Piece Metal Chamber/Combustion Chamber Assembly ¹	
15	474957	One Piece Metal Chamber/Combustion Chamber Assembly ²	
20	474094	One Piece Metal Elbow/Combustion Chamber Cover Assembly ¹	
20	474958	One Piece Metal Elbow/Combustion Chamber Cover Assembly ²	
20a	474201	Tub O-Ring Kit ¹	
20b	474952	Tub O-Ring Kit ²	
21	42002-0005S	Metal Vent Cover	
22	42002-0034Z	Heater Top	
23	42002-0039Z	Side Panel (Service Panel) with 4 clips and 4 screws	
24	42002-0033Z	Side Panel (Manifold)	
25	42002-0031Z	Heater Bottom	
26	42002-0032Z	Side Panel (Flue Stack)	
27	42002-0041Z	J Box Cover	
28	474292	7 ea clips and 3 ea screws	

NOT SHOWN

461002	Gas Orifice Kit - NG, Model 175 (Incl. Item Nos. 3 and 4) *	
77707-0431	Gas Orifice Kit - NG, Model 200 (Incl. Item Nos. 3 and 4) *	1
460739	Gas Orifice Kit - NG, Model 250 (Incl. Item Nos. 3 and 4) *	
460753	Gas Orifice Kit - NG, Model 300 (Incl. Item Nos. 3 and 4) ¹	
77707-0411	Gas Orifice Kit - NG, Model 400 (Incl. Item Nos. 3 and 4) *	
460797	Gas Orifice Kit - Propane, Model 175 (Incl. Item Nos. 3 and 4) *	
77707-0461	Gas Orifice Kit - Propane, Model 200 (Incl. Item Nos. 3 and 4) *	1

Item	Part No.	Description	Qty.
460740	Gas Orifice Kit - Propane, Model 250 (Incl. Item Nos. 3 and 4) *		
460754	Gas Orifice Kit - Propane, Model 300 (Incl. Item Nos. 3 and 4) *		
77707-0441	Gas Orifice Kit - Propane, Model 400 (Incl. Item Nos. 3 and 4) *		
460794	NG to Propane Conversion Kit Model 175 (Incl. Item Nos. 3 and 4) *		
77707-1461	NG to Propane Conversion Kit Model 200 (Incl. Item Nos. 3 and 4) *	1	
460741	NG to Propane Conversion Kit Model 250 (Incl. Item Nos. 3 and 4) *		
460755	NG to Propane Conversion Kit Model 300 (Incl. Item Nos. 3 and 4) *		
77707-1441	NG to Propane Conversion Kit Model 400 (Incl. Item Nos. 3 and 4) *		
460795	Propane to NG Conversion Kit Model 175 (Incl. Key Nos. 3 and 4) *		
77707-1431	Propane to NG Conversion Kit Model 200 (Incl. Key Nos. 3 and 4) *	1	
460742	Propane to NG Conversion Kit Model 250 (Incl. Key Nos. 3 and 4) *		
460756	Propane to NG Conversion Kit Model 300 (Incl. Key Nos. 3 and 4) *		
77707-1411	Propane to NG Conversion Kit Model 400 (Incl. Key Nos. 3 and 4) *		
77707-0011	Blower/Adapter Plate Gasket Kit (Includes Item Nos. 8, 9, 10, 12)	1	
77707-0202	Flameholder Kit - Model 175, Model 200 (Includes Item Nos. 10, 11, 12 & 13)	1	
460746	Flameholder Kit - Model 250 (Includes Item Nos. 10, 11, 12 & 13 and Flameholder insert)		
77707-0203	Flameholder Kit - Model 300 (Includes Item Nos. 10, 11, 12, 13 & Flameholder Insert)		
77707-0204	Flameholder Kit - Model 400 (Includes Item Nos. 10, 11, 12, 13 & Flameholder Insert)		
77707-0008	Insulation Kit (Includes Item Nos. 13, 14, 16, 17, 18, 19)	1	
42001-0074S	Lower Enclosure Insulation		
42001-0214S	Metal Vent Cover Assembly		
461063	Kit Gas Conversion NA to LP - MT125		

* Not included with heater. Order separately.

¹ For Heaters Manufactured Between 1/12/09 and 10/31/13 (Clamp lid tub design).

² For Heaters Manufactured After 11/16/13 (New 9-bolt lid tub design).

Note: Kits include Clamp Assembly, O-Ring, and Silicone Tube.