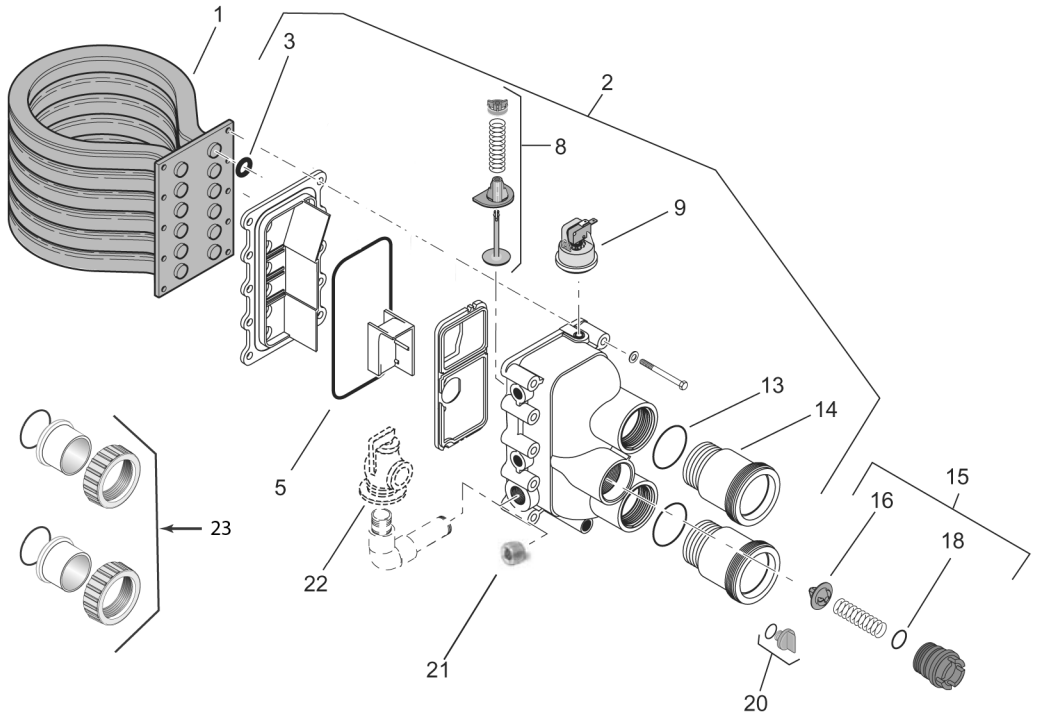


MASTERTEMP® HEATER

WATER SYSTEM REPLACEMENT PARTS



Item	Part No.	Description
WATER SYSTEM		
1	77707-0232	Tube Sheet Coil Assembly Kit (Includes Item No. 3) Models 175NA, 175LP, 200NA, 200LP
1	474058	Tube Sheet Coil Assembly Kit (Includes Item No. 3) Models 175NA, 175LP, 200NA, 200LP ¹
1	460747	Tube Sheet Coil Assembly Kit (Includes Item No. 3) Models 250NA, 250LP
1	474059	Tube Sheet Coil Assembly Kit (Includes Item No. 3) Models 250NA, 250LP ¹
1	77707-0233	Tube Sheet Coil Assembly Kit (Includes Item No. 3) Models 300NA, 300LP
1	474060	Tube Sheet Coil Assembly Kit (Includes Item No. 3) Models 300NA, 300LP ¹
1	77707-0234	Tube Sheet Coil Assembly Kit (Includes Item No. 3) Models 400NA, 400LP
1	474061	Tube Sheet Coil Assembly Kit (Includes Item No. 3) Models 400NA, 400LP ¹
1	77707-0244	Tube Sheet Coil Assembly Kit (Includes Item No. 3) Models 400HDNA, 400HD-LP
1	474065	Tube Sheet Coil Assembly Kit (Includes Item No. 3) Models 400HDNA, 400HD-LP ¹
1	473710	Tube Sheet Coil Assembly Kit - HD Series - (Includes Item No. 3) Models 250HDNA, 250HD-LP
1	474063	Tube Sheet Coil Assembly Kit - HD Series - (Includes Item No. 3) Models 250HDNA, 250HD-LP ¹

¹ For Heaters Manufactured after 1/12/09 (New Tub Design).

Note: Kits include: O-Rings, Insulation, Igniter and Blower Gaskets.

MASTERTEMP® HEATER (CONT'D)

WATER SYSTEM REPLACEMENT PARTS

Item	Part No.	Description
WATER SYSTEM		
2	77707-0014	Manifold Kit (Includes Item Nos. 3-14, 21, and Item Nos. 5-7 in "Electrical System" Models 175NA, 175LP, 200NA, 200LP)
2	460748	Manifold Kit (Includes Item Nos. 3-14, 21, and Item Nos. 5-7 in "Electrical System" Models 250NA, 250LP)
2	77707-0015	Manifold Kit (Includes Item Nos. 3-14, 21, and Item Nos. 5-7 in "Electrical System" Models 300NA, 300LP)
2	77707-0016	Manifold Kit (Includes Item Nos. 3-14, 21, and Item Nos. 5-7 in "Electrical System" Models 400NA, 400LP)
2	474200	Basic Manifold Kit (Includes Item Nos. 3, 5, 10-14)
3	77707-0117	Coil/Tubesheet Sealing O-Ring Kit - Models 175NA, 175LP, 200NA, 200LP (6)
3	460749	Coil/Tubesheet Sealing O-Ring Kit - Models 250NA, 250LP (8)
3	77707-0118	Coil/Tubesheet Sealing O-Ring Kit - Models 300NA, 300LP (10)
3	77707-0119	Coil/Tubesheet Sealing O-Ring Kit - Models 400NA, 400LP (12)
8	77707-0001	Manifold Bypass Valve Kit
9	42001-0060S	Water Pressure Switch
9	473716Z	Water Pressure Switch (Old Header Design ASME) ⁴
13	U9-226	O-Ring
14	77707-0017	Connector Tube Kit (Includes 1 Connector Tube and 1 O-Ring)
15	77707-0010	Thermal Regulator Kit (Incl. Item Nos.16, 17, 18, 19 and Spring Clip)
16	38000-0007S	Thermal Regulator (Includes Spring Clip)
18	35505-1313	Thermal Regulator Cap O-Ring
20	U178-920P	Drain Plug
21	U78-60ZPS	Zinc Plug 428-60 PS
22	473715Z	Pressure Relief Valve
23	PKG 188	2 in. Union Adapter Package (Includes 2)
	77707-0120	O-Ring Kit (Incl. Item Nos. 3, 5)
ASME KITS		
	472648Z	Bypass Access Plug (ASME)
	77707-0001	Mainfold Bypass Valve Kit ASME
	474096	Heat Exchanger Kit ³ - 400 ASME
	474956	Heat Exchanger Kit ⁵ - 400 ASME
	474953	Heat Exchanger Kit ⁵ - 400 HD ASME
	474350	Heat Exchanger Kit ³ - 400 ASME HD
	474097	Heat Exchanger Kit ³ - 250 ASME
	474954	Heat Exchanger Kit ⁵ - 250 ASME HD
	474955	Heat Exchanger Kit ⁵ - 250 ASME
	474349	Heat Exchanger Kit ³ - 250 ASME HD
	460923	ASME Bypass Valve Kit ⁴ (Old header design)
	461007	ASME Bypass Valve Tool Kit ⁴ (Old header design)
	460924	Thermal Regulator Kit ⁴ (includes Spring clip, ASME, Old header design)

³ For ASME Heaters Manufactured after 3/24/09 (Tub Design w/Clamp Ring).

⁴ For ASME Heaters Manufactured prior to 10/2012 (Old Header Design).

⁵ For ASME Heaters Manufactured after 11/16/13 (New 9-Bolt Tub Design).

Note: Kits (New Tub Design) include: Clamp, O-Ring, Silicone Tube, and Insulation (ASME version only).