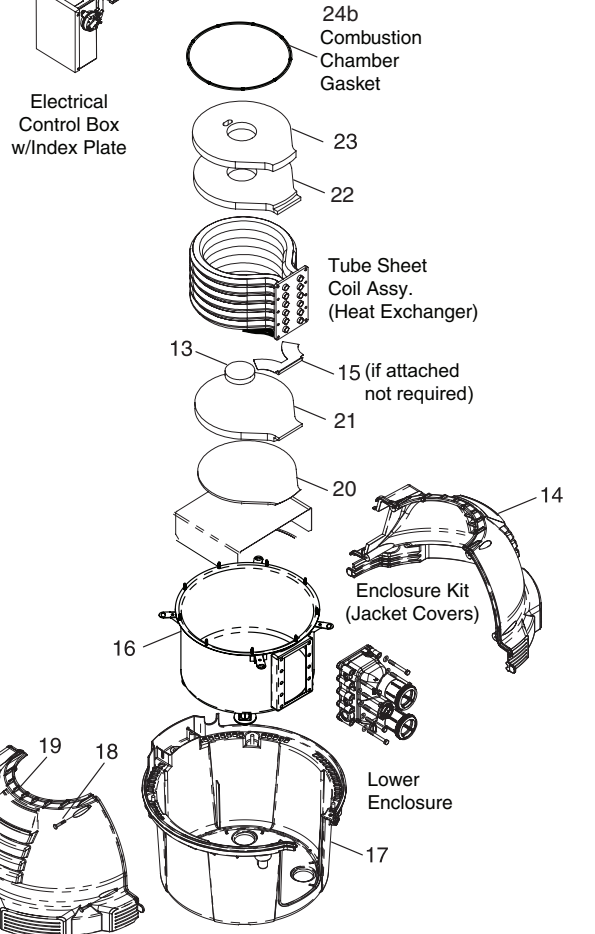
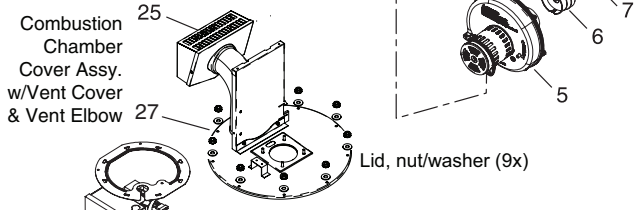
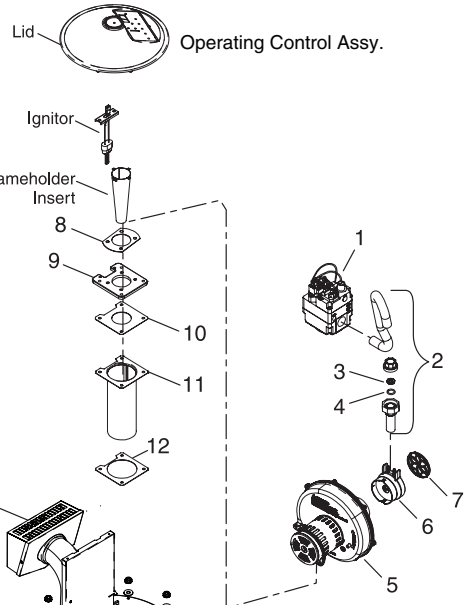
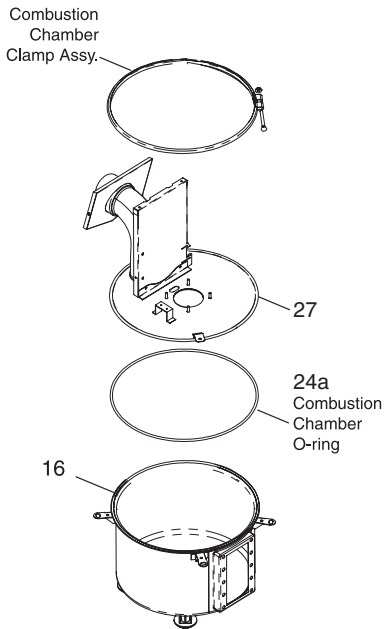


# MAX-E-THERM® HEATER

## BURNER SYSTEM REPLACEMENT PARTS



### CLAMP LID TUB DESIGN



For heaters manufactured between 1/12/2009 and 10/31/2013 (clamp lid tub design)  
 Note: Kits also include, O-Ring and Silicon Tube.

Enclosure Kit (Jacket Covers)

# MAX-E-THERM® HEATER (CONT'D)

## BURNER SYSTEM REPLACEMENT PARTS



Item	Part No.	Description
MAX-E-THERM BURNER SYSTEM		
1	42001-0051S	Combination Gas Control Valve Kit
2	38404-4097S	3/4 in. Union
5	77707-0251	Air Blower Kit, Natural - 200NA Model (Single Volt Blower Adapter Included)
5	77707-0252	Air Blower Kit, Natural - 333NA Model (Single Volt Blower Adapter Included)
5	77707-0253	Air Blower Kit, Natural - 400NA Model (Single Volt Blower Adapter Included)
5	77707-0254	Air Blower Kit, Propane - 200LP Model (Single Volt Blower Adapter Included)
5	77707-0255	Air Blower Kit, Propane - 333LP Model (Single Volt Blower Adapter Included)
5	77707-0256	Air Blower Kit, Propane - 400LP Model (Single Volt Blower Adapter Included)
14	77707-0002	Enclosure Kit, Upper Right-Hand
16	474095	One Piece Metal Chamber/Combustion Chamber Assembly <sup>2</sup>
16	474957	One Piece Metal Chamber/Combustion Chamber Assembly <sup>1</sup>
17	42001-0001S	Lower Enclosure
19	77707-3200N	Enclosure Kit, Upper Left-Hand - Natural (200)
19	77707-3333N	Enclosure Kit, Upper Left-Hand - Natural (333)
19	77707-3400N	Enclosure Kit, Upper Left-Hand - Natural (400)
19	77707-3200L	Enclosure Kit, Upper Left-Hand - Propane (200)
19	77707-3333L	Enclosure Kit, Upper Left-Hand - Propane (333)
19	77707-3400L	Enclosure Kit, Upper Left-Hand - Propane (400)
24a	474201	Combustion Chamber O-Ring Kit <sup>2</sup>
24b	474432	Combustion Chamber O-Ring Kit <sup>1</sup>
27	474094	One Piece Metal Elbow/Combustion Chamber Cover Assembly <sup>2</sup>
27	474958	One Piece Metal Elbow/Combustion Chamber Cover Assembly <sup>1</sup>
28	42002-0005S	Metal Vent Cover
29	42001-0074S	Kit Lower Enclosure Insulation

Item	Part No.	Description
NOT SHOWN		
	77707-0431	Gas Orifice Kit - Natural - 200 Model (Incl. 3 & 4) *
	77707-0421	Gas Orifice Kit - Natural - 333 Model (Incl. 3 & 4) *
	77707-0411	Gas Orifice Kit - Natural - 400 Model (Incl. 3 & 4) *
	77707-0461	Gas Orifice Kit - Propane - 200 Model (Incl. 3 & 4) *
	77707-0451	Gas Orifice Kit - Propane - 333 Model (Incl. 3 & 4) *
	77707-0441	Gas Orifice Kit - Propane - 400 Model (Incl. 3 & 4) *
	77707-1461	NG to Propane Conversion Kit - 200 Model (Incl. 3 & 4) *
	77707-1451	NG to Propane Conversion Kit - 333 Model (Incl. 3 & 4) *
	77707-1441	NG to Propane Conversion Kit - 400 Model (Incl. 3 & 4) *
	77707-1431	Propane to NG Conversion Kit - 200 Model (Incl. 3 & 4) *
	77707-1421	Propane to NG Conversion Kit - 333 Model (Incl. 3 & 4) *
	77707-1411	Propane to NG Conversion Kit - 400 Model (Incl. 3 & 4) *
	77707-0111	Air Orifice Kit - (Incl. 6 & 7, 200 Model Only)
	77707-0112	Air Orifice Kit - (Incl. 6 & 7, 333 Model Only)
	77707-0113	Air Orifice Kit - (Incl. 6 & 7, 400 Model Only)
	77707-0011	Blower/Adapter Plate Gasket Kit - (Incl. 8, 9, 10, & 12)
	77707-0202	Flameholder Kit - 200 Model (Incl. 10, 11, 12 & 13)
	77707-0203	Flameholder Kit - 333 Model (Incl. 10, 11, 12, 13, & Flameholder Insert)
	77707-0204	Flameholder Kit - 400 Model (Incl. 10, 11, 12, 13, & Flameholder Insert)
	42001-0074S	Lower Enclosure Insulation
	77707-0008	Insulation Kit (Incl. 13, 15, 23, 24, 25, 26)
	77707-0112	Air Orifice Kit 333 Model
	77707-0113	Air Orifice Kit 400 Model

\* Not included with heater. Order separately.

<sup>1</sup> For Heaters Manufactured after 11/16/13 (New 9-Bolt Lid Tub Design).

<sup>2</sup> For Heaters Manufactured after 1/12/09 (Clamp Lid Tub Design).

Note: Kits include Clamp assembly, O-ring and silicone tube.